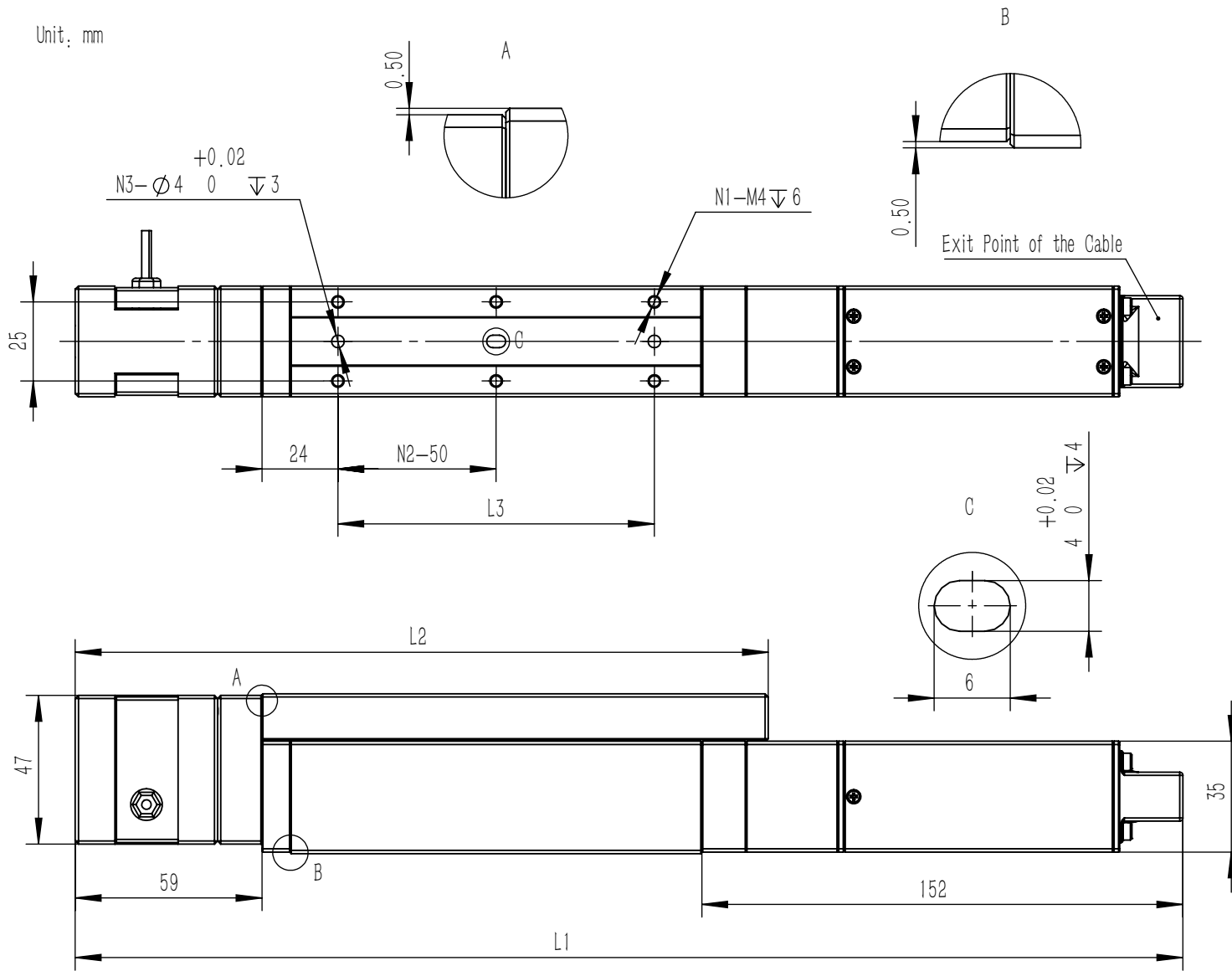


Unit: mm



Installation Instructions:

1. When fixing the main body, please use all the screws on the same installation surface.
2. When tightening the bolts, do not exceed the depth of the threaded hole.

Stroke	50	100
L1	300	350
L2	169	219
L3	/	100
N1	4	6
N2	1	2
N3	1	2

