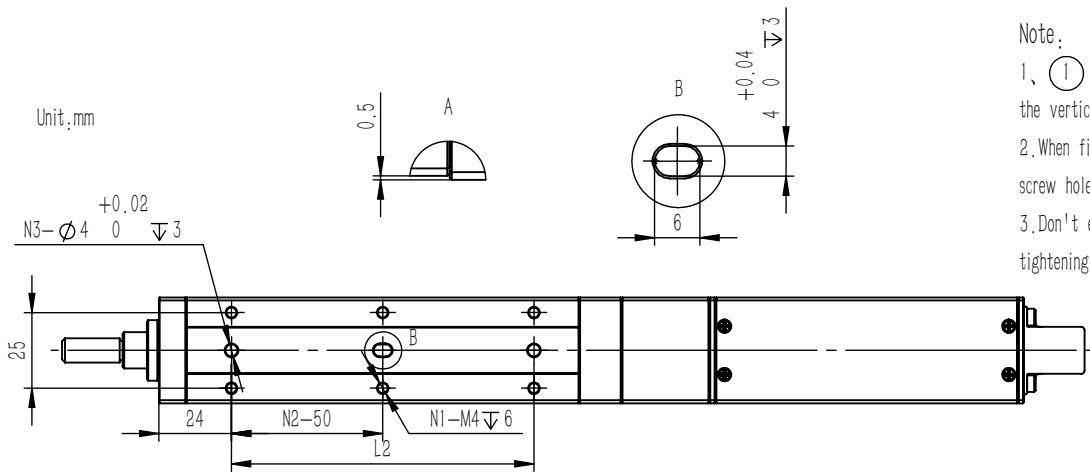


Unit:mm



Note:

- 1、① The direction of the parallel plane is uncertain , the vertical direction shown is for illustration only.
2. When fixing the main body, please make use of all the screw holes on same mounting surface;
3. Don't exceed the depth of the threaded hole when tightening the bolt.

行程	50	100	150
L1	288	338	388
L2	/	100	150
N1	4	6	8
N2	1	2	3
N3	1	2	2

