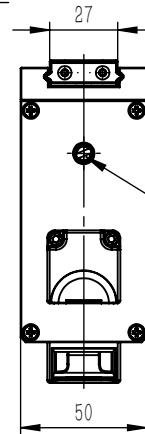
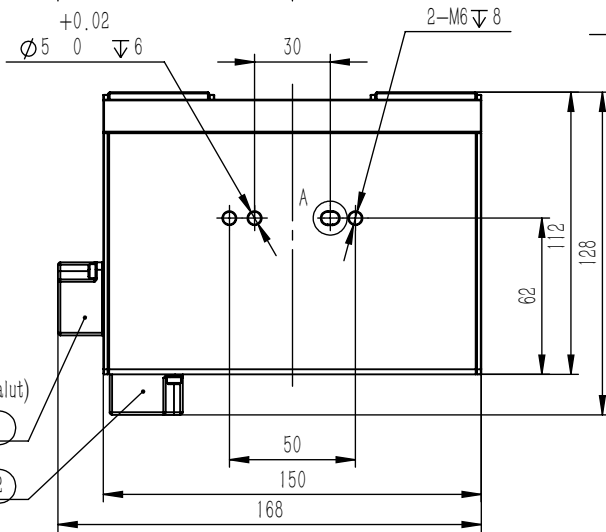
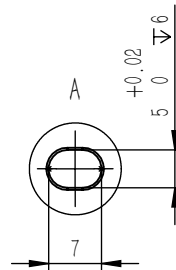
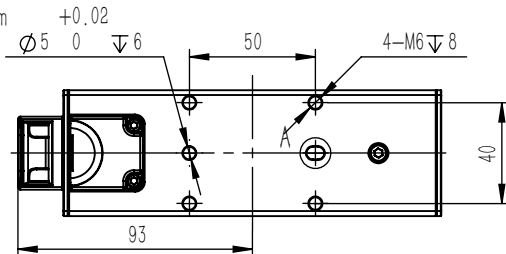
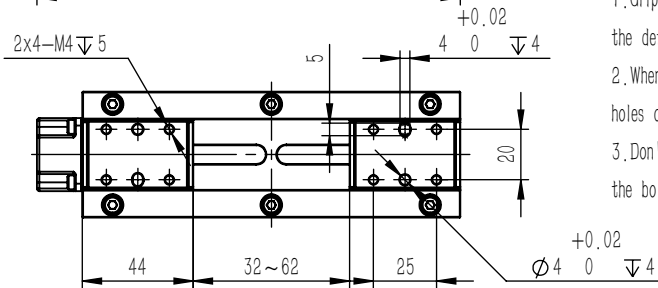


Unit: mm



The gripper can be controlled by adjusting this one-piece screw position when powered down. Clockwise direction is open and counterclockwise is close.



Note.

1. Gripper can select any of the output cable positions(① or ②), the default position is ①;
2. When fixing the main body, please make use of all the screw holes on same mounting surface;
3. Don't exceed the depth of the threaded hole when tightening the bolt.