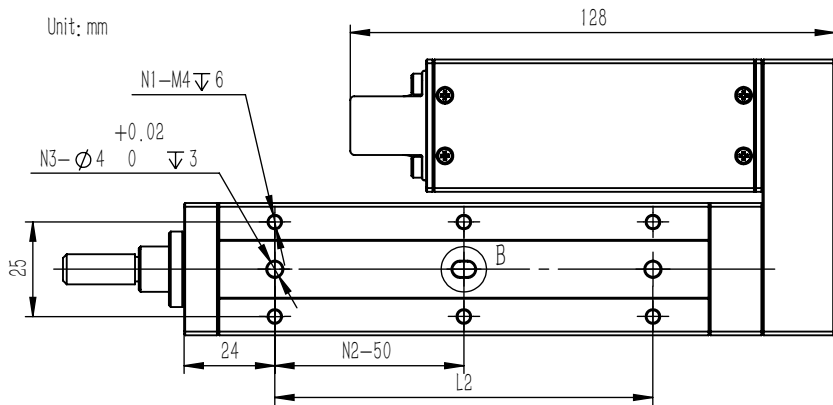
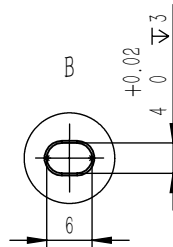
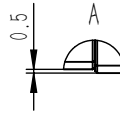


Unit: mm



Note:

1. When fixing the main body, please make use of all the screw holes on same mounting surface;
2. Don't exceed the depth of the threaded hole when tightening the bolt.



Stroke	50	100	150
L1	154	204	254
L2	/	100	150
N1	4	6	8
N2	1	2	3
N3	1	2	2

